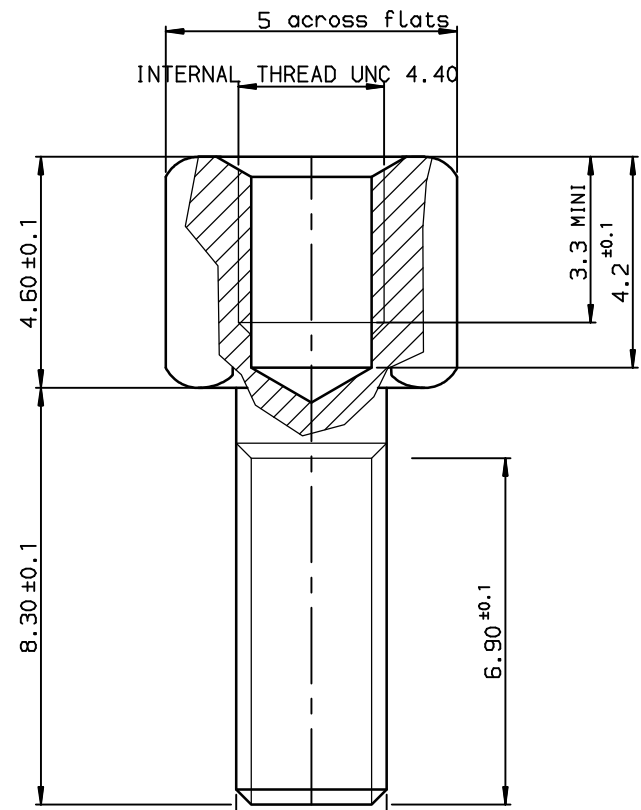


TECHNICAL CHARACTERISTICS :

Female screw locks: brass
 Packaging : per 1000 pieces .



86551009LF	NOTE 1
86551009TLF	NOTE 2
LEAD FREE PART NUMBER	RoHS NOTE

NOTE1:RoHS INFORMATIONS

- The "LF" product meets European union Directives and other country regulations as described in G5-22-008.
- The product is not intended to be exposed to a manufacturing solder process.
- Plating: Zinc Cr3+, white color.
- Packaging spec: see G5-14-920.

NOTE2:RoHS INFORMATIONS

- The "LF" product meets European union Directives and other country regulations as described in G5-22-008.
- The product is not intended to be exposed to a manufacturing solder process.
- Plating: Sn pure bright over Copper.
- Packaging spec: see G5-14-920.

4.40NC2A sellers



Copyright FCI.

European Views

www.fciconnect.com		surface ISO 1302 ✓	tolerance std ISO 406 ISO 1101	projection mm
TOLERANCES UNLESS OTHERWISE SPECIFIED				
Dr	GOISNARD	2006/01/12	ANGULAR	LINEAR
Eng	PESSON	2006/01/12	0.X	±0.1
Chr	LEGARE	2006/01/12	0.XX	±0.1
Appr	LEGARE	2006/01/12	0.XXX	±0.1
Product family			D-SUB	Spec ref -
title FEMALE SCREW LOCKS		cat no C01-8655-1659		Rev. B
CUSTOMER				sheet 1 of 1

rev	ecn no	dr	date
A	LS05-0123	LGO	2006/01/12
B	LS06-0095	LGO	2006/06/24
-	-	-	-
-	-	-	-
-	-	-	-
-	-	-	-
-	-	-	-